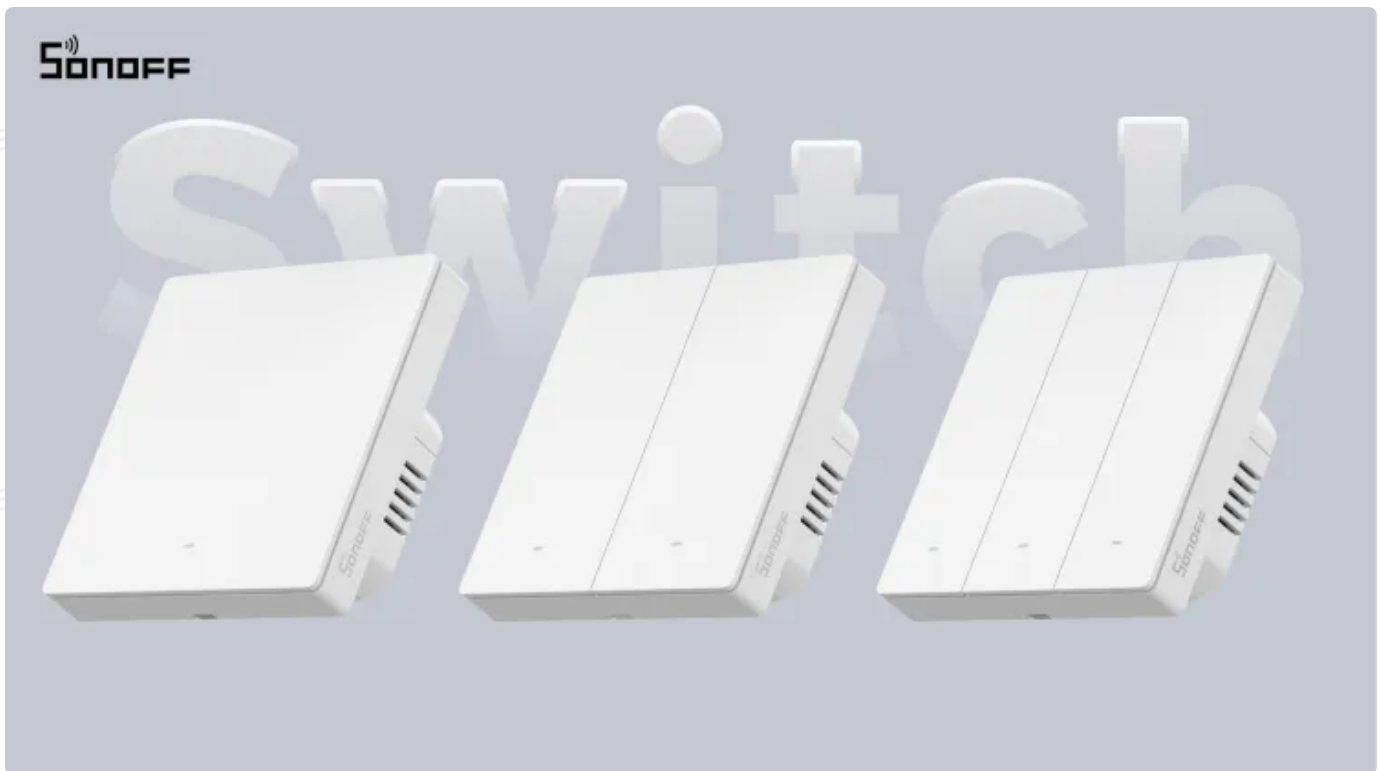


User Manual ZBM5-86W (EN)



Zigbee Smart Wall Switch

User Manual V1.0

Introduction

This device is a Zigbee-based smart wall switch, which allows for either neutral required mode or no neutral required mode wiring, depending on your home's circuit setup. Used with a SONOFF Zigbee gateway, you can achieve remote control of device opening/closing, setting schedule/timer, creating smart scenes, and other smart control methods.



Remote Control



Single/Countdown
Timing



Share Control



Neutral Wire Optional



Smart Scene



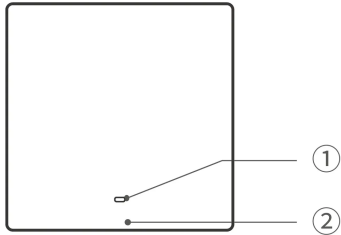
Voice Control



Group Control



Power-on State



① LED indicator (Blue)

- Slow flash: Device is in pairing mode.
- Fast flash: Network connection abnormality.
- Flashes 3 times: Wiring mode switched successfully.

② Button

- Single press: Turn on/off the smart device.
- Press and hold for 5 seconds: Device enters the pairing mode. (Pairing time 180s)

Compatible Voice Assistants



Specification

Model	ZBM5-1C-86W, ZBM5-2C-86W, ZBM5-3C-86W
MCU	EFR32MG22
Rating	<p>1C: 100-240V~ 50/60Hz 10A Max Resistive load $\odot$$\mu$</p> <p>2C: 100-240V~ 50/60Hz 10A/gang, Total 10A Max Resistive load $\odot$$\mu$</p> <p>3C: 100-240V~ 50/60Hz 10A/gang, Total 10A Max Resistive load $\odot$$\mu$</p>

LED load	1C: 400W@240V, 200W@100V 2C: 400W@240V/gang, 200W@100V/gang, Total 400W@240V, 200W@100V 3C: 400W@240V/gang, 200W@100V/gang, Total 400W@240V, 200W@100V
Min. load	3W (No neutral required input mode)
Wireless connectivity	Zigbee 3.0
Net weight	1C: 157.3g, 2C: 167.6g, 3C:176g
Dimension	87x87x40.2mm
Color	White
Casing material	PC+CRS
Applicable place	Indoor
Working temperature	10T40 (-10°C~40°C)
Working humidity	5%~95% RH, non-condensing
Certification	CE/RoHS

ⓘ This product is only suitable for safe use at altitudes below 2000m.

Pre-installation Preparations

1.Download the eWeLink App

Please download the "eWeLink" App from Google Play Store or Apple App Store.



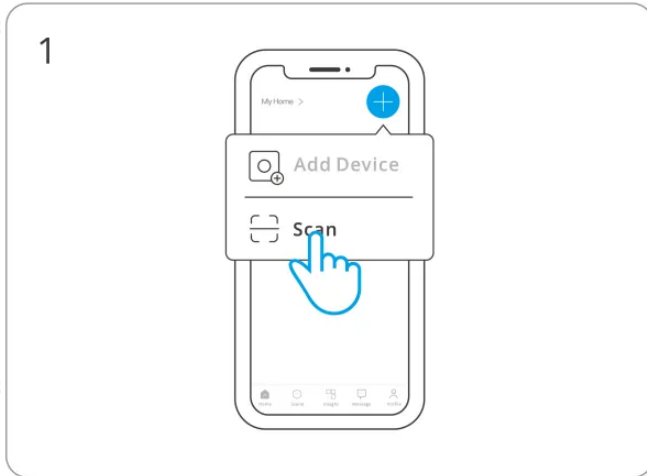
2.Add a compatible SONOFF gateway

Recommended SONOFF gateway models: ZBBridge-P、ZBBridge-U、NSPanel Pro、iHost.

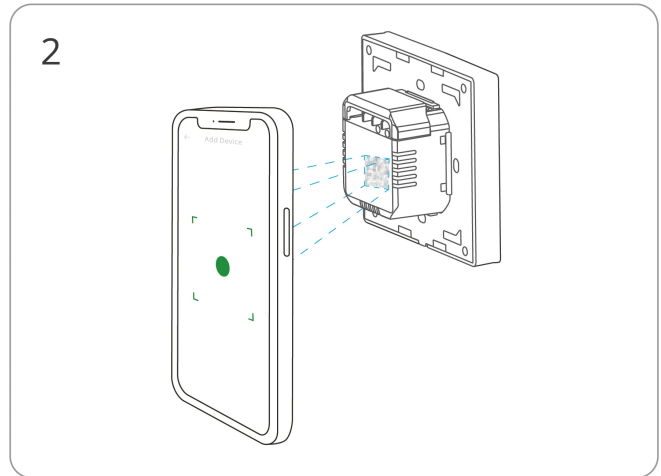
⚠ Before adding a device, please upgrade the gateway firmware to the latest version.

Other compatible SONOFF gateway models: ZBDongle-P, ZBDongle-E.

3.Scan the device QR code

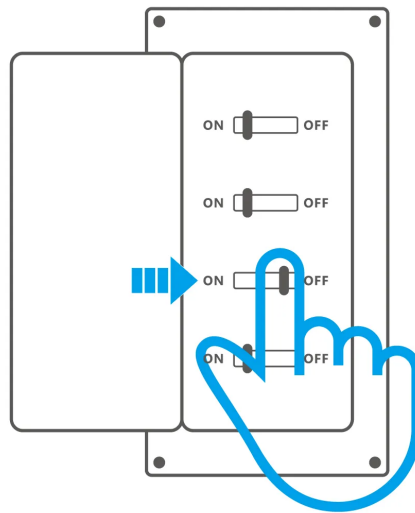


Enter "Scan".



Scan the QR code on the device.

4.Power off



 **WARNING**

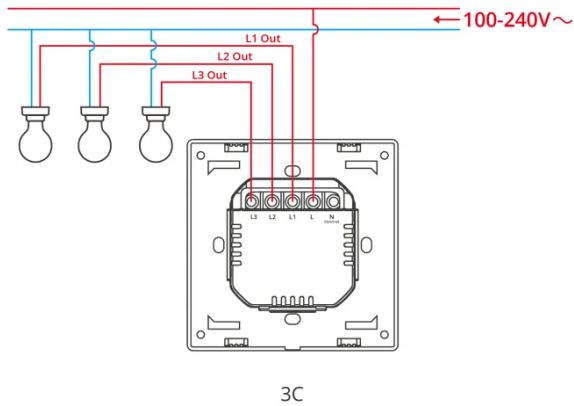
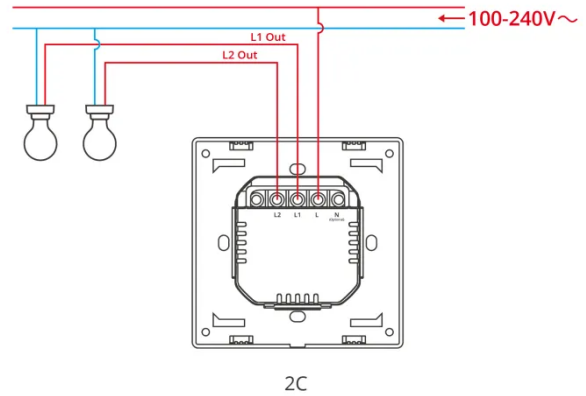
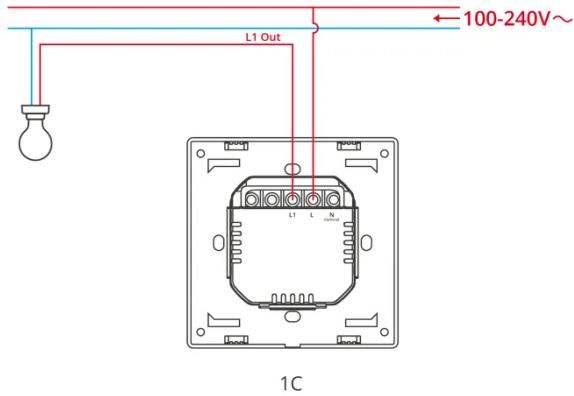
Please install and maintain the device by a professional electrician. To avoid electric shock hazards, do not operate any connection or contact the terminal connector while the device is powered on!

Installation

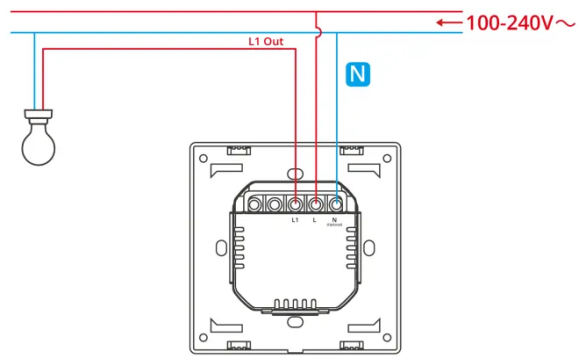
1. Wiring instruction

⚠ To ensure the safety of your electrical installation, it's essential either a Miniature Circuit Breaker (MCB) or a Residual Current operated Circuit-breaker with Integral Overcurrent protection(RCBO) with an electrical rating of 10A has been installed before the ZBM5-1C-86W, ZBM5-2C-86W, ZBM5-3C-86W.

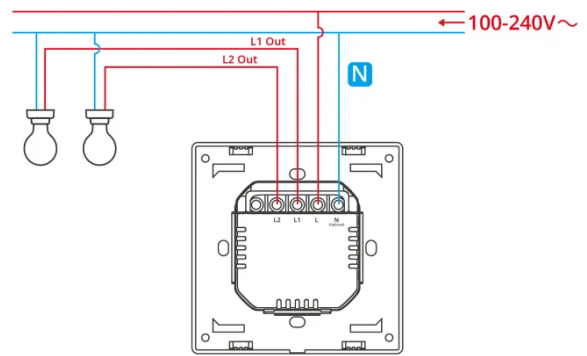
No neutral required mode wiring:



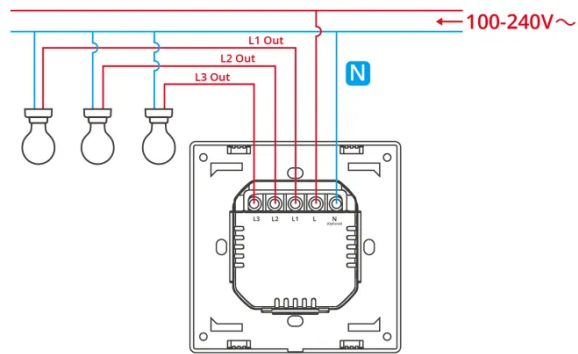
Neutral required mode wiring:



1C



2C



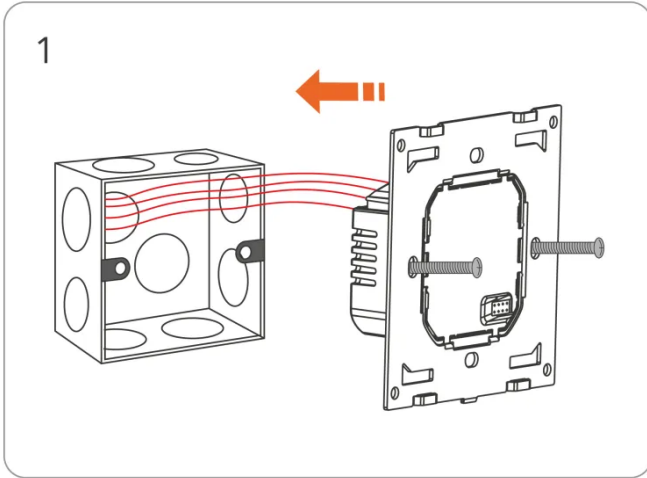
3C

- ⊕ Choose no neutral required mode or neutral required mode according to your home's wiring.
- ⊕ In no neutral required mode: the minimum supported load is 3W, and this device does not support other types of inductive loads such as fans.
- ⊕ Make sure all wires are connected correctly.

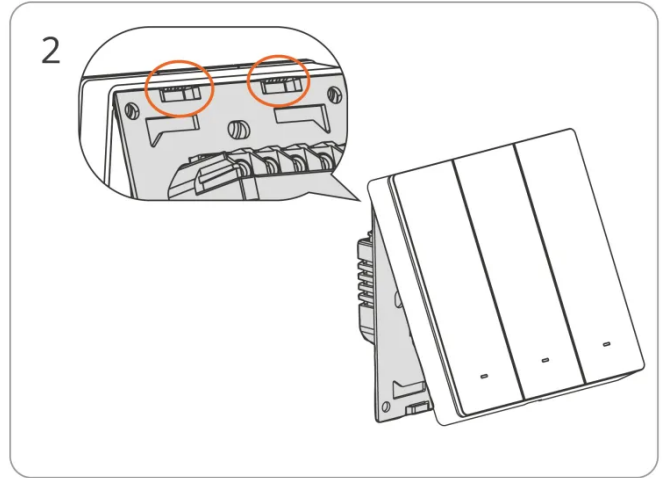
Instructions for wiring symbols

Terminals		Wires	
N (Optional)	Neutral Line	N	Neutral Line
L	Live Line	L	Live Line (100~240V)
L out1	Live Output Terminal__1(100~240V)		
L out2	Live Output Terminal__2(100~240V)		
L out3	Live Output Terminal__3(100~240V)		

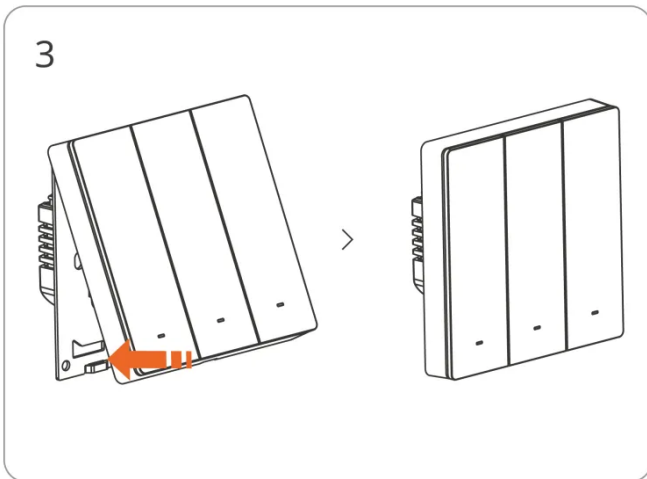
2. Install the device into the mounting box



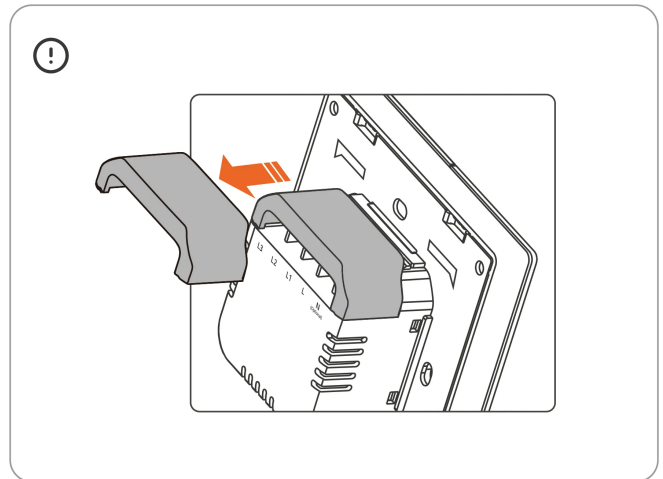
Tighten the power module to the mounting box with screws.



Hook the switch module's latch into the upper groove of the metal frame.



Press downward to fix the switch module in place, it will automatically align with the pin positions.

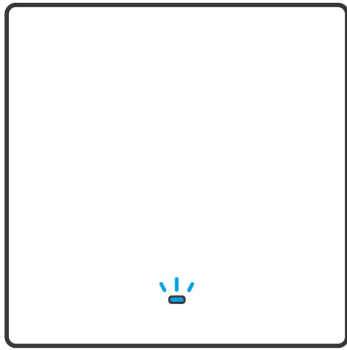


Note: When the wall-mounting box is made of plastic and the size is small, the protective cover can be omitted.

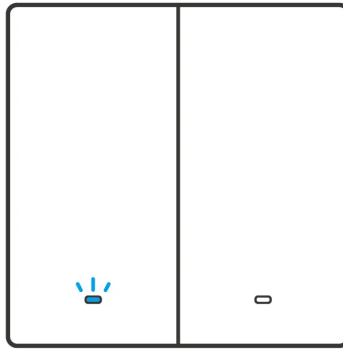
3. Power on

After powering on, the device will enter the pairing mode defaulted during the first use and the LED signal indicator will "flash slowly".

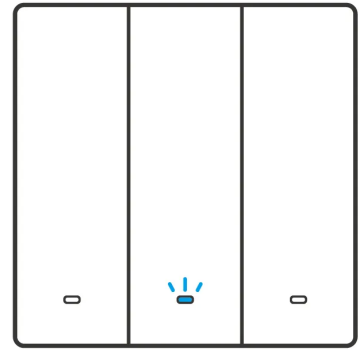
⚠ When the device is powered up for the first time, the current wiring mode needs to be determined based on the wiring method, and you may need to wait for about 10 seconds before entering the normal operating state.



1C



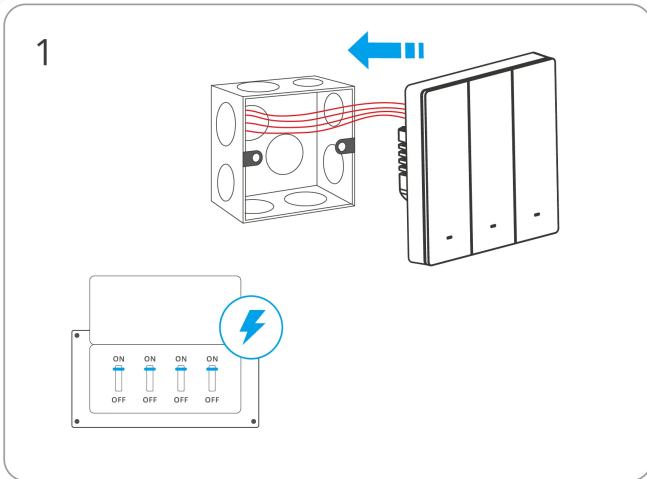
2C



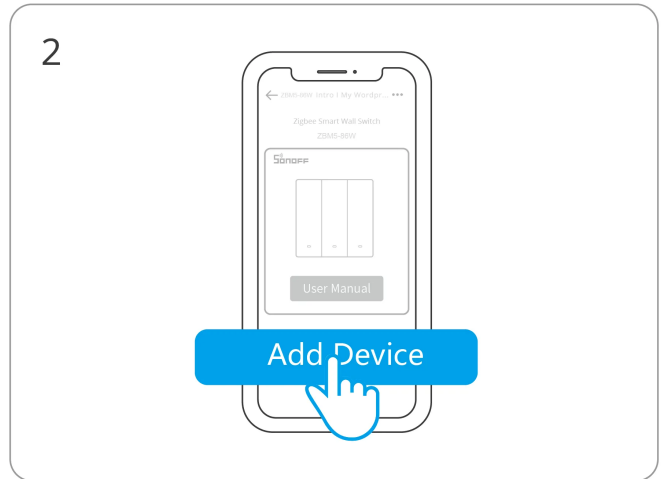
3C

⚠ The device will exit the pairing mode if you do not operate it within 3 mins. When you want to enter the pairing mode again, long press any button on the device for 5 seconds until the signal light "flashes slowly" and releases.

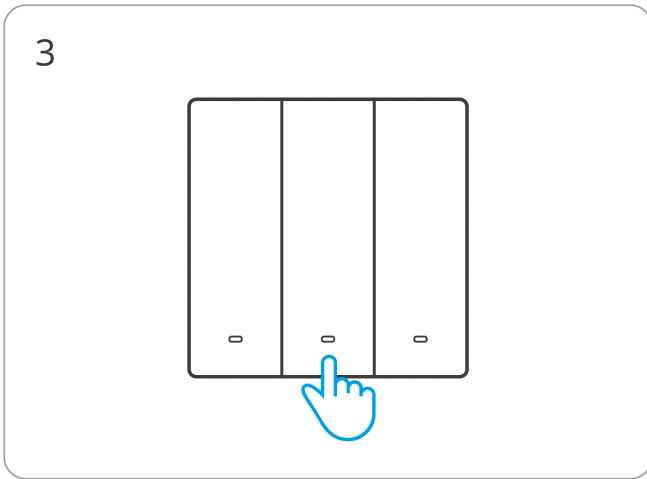
Add Device



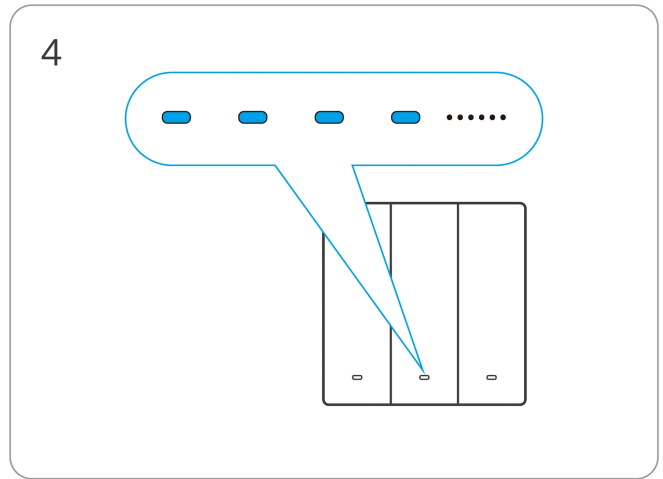
Turn on the power after completing the installation of the device.



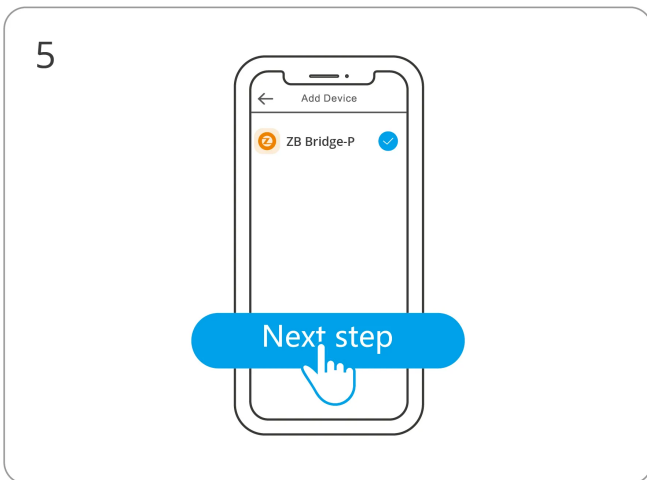
Go back to the eWeLink App and select "Add Device" on the App.



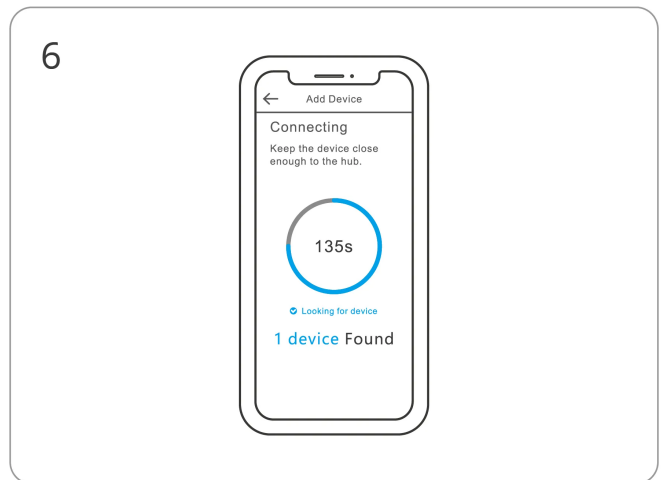
Long press any button on the device for 5 seconds.



LED signal indicator will "flash slowly".



Select Zigbee gateway.



Wait until the addition is done.

Factory Reset

Trigger conditions (any one condition met).

- Press and hold the device button for 5 seconds.
- Delete the device on eWeLink.

Switch Wiring Mode

When the device is powered on for the first time, it will automatically enter either no neutral required mode or neutral required mode based on the actual wiring setup. Different modes have varying compatibility with loads. If you need to switch wiring methods, such as

changing from neutral required mode wiring to no neutral required mode wiring, follow the steps below to switch the device mode:

1. Choose one of the following methods to restore the device to its factory settings:

- Press and hold any button on the device for more than 5 seconds
- Delete the device in the eWeLink app

2. After disconnecting power and reconnecting, the device's signal indicator (blue) will flash three times.

Once the above steps are completed, wait for 10 seconds before the device can function properly. Add the device to the gateway again, and it will switch to the corresponding mode based on the new wiring setup.

Differences Between No Neutral Required and Neutral End Device Required Modes

No Neutral Required Mode:

The device functions as a Zigbee end device, and the external load has a minimum power requirement, with a minimum load of 3W. In this mode, smart lights are not supported, including but not limited to dimmable, color-changing, gradient, and lights with built-in controllers, as well as light strips.

Neutral Required Mode:

The device functions as a Zigbee router, enhancing the robustness and coverage of the Zigbee network in the use environment. This mode has fewer restrictions on external load, with no minimum power requirement. Smart lights are supported in this mode and can be used with the eWeLink app's "Detach Relay" function.

Troubleshooting Guide and FAQs

1. Why does the light bulb light up slightly or flicker after turning off the light?

This issue only occurs in the no neutral required wiring mode and may be caused by the following two factors:

(1) The device is in neutral required mode, but the actual wiring is not neutral.

You can check this fault via the app reminder. In some special cases, the product's operating mode may not switch correctly. For example, if the device was previously operating in neutral required mode but the wiring is changed to no neutral required without resetting the device, it may not switch to the correct mode.

Solution: Reset the device according to the 'Switch Wiring Mode' section above.

(2) The external bulb has insufficient power or is incompatible.

In no neutral required mode, the minimum power requirement for external bulbs is 3W. Therefore, the connected bulb must be at least 3W. Even if the bulb power meets 3W, it does not necessarily mean that it is compatible. No neutral required mode supports most major lighting brands, but bulbs from lesser-known or knockoff brands may cause issues, such as flickering or device malfunction, due to their internal circuit design and materials. Please choose carefully.

Solution: Replace the bulb with a brand-name bulb with a power rating of $\geq 3W$.

2. For multi-channel products, when the A channel bulb is turned on, why does the B channel bulb, which is in the off state, light up slightly or flicker?

This problem is also caused by incompatible or poor compatibility of the bulbs used. It may be caused by the A channel bulb or the B channel bulb, and the latter is more likely.

3. What types of bulbs are supported, and what is the compatibility range?

The support and requirements for bulbs are as follows.

Incandescent Bulbs:

2400W@240V MAX (per channel or total), 1000W@100V MAX (per channel or total), minimum of 3W (for no neutral required mode only).

LED/CFL/Fluorescent Bulbs:

400W@240V MAX (per channel or total), 200W@100V MAX (per channel or total), minimum of 3W (for no neutral required mode only).

ⓘ For older fluorescent tubes with starters, replace the starter with an electronic one to avoid potential switch damage.

EU Declaration of Conformity

Hereby, Shenzhen Sonoff Technologies Co., Ltd. declares that the radio equipment type ZBM5-1C-86W, ZBM5-2C-86W, ZBM5-3C-86W is in compliance with Directive 2014/53/EU. The full text of the EU declaration of conformity is available at the following internet address: <https://sonoff.tech/compliance/>

For CE Frequency

EU Operating Frequency Range:

Zigbee: 2405-2480MHz

EU Output Power:

Zigbee \leq 10dBm

WEEE Disposal and Recycling Information



WEEE Disposal and Recycling Information All products bearing this symbol are waste electrical and electronic equipment (WEEE as in directive 2012/19/EU) which should not be mixed with unsorted household waste. Instead, you should protect human health and the environment by handing over your waste equipment to a designated collection point for the recycling of waste electrical and electronic equipment, appointed by the government or local authorities. Correct disposal and recycling will help prevent potential negative consequences to the environment and human health. Please contact the installer or local authorities for more information about the location as well as terms and conditions of such collection points.

Warning

Under normal use of condition, this equipment should be kept a separation distance of at least 20 cm between the antenna and the body of the user.

Dans des conditions normales d'utilisation, cet équipement doit être maintenu à une distance d'au moins 20 cm entre l'antenne et le corps de l'utilisateur.

Scatola	Scatola	Manuale	Borsa	Borsa
PAP 20	PAP 21	PAP 22	CPE 7	LDPE 4
Carta	Carta	Carta	Plastica	Plastica
RACCOLTA DIFFERENZIATA				
Verifica le disposizioni del tuo Comune.				
Separa le componenti e conferiscile in modo corretto.				

SONOFF

Manufacturer: Shenzhen Sonoff Technologies Co., Ltd.

Address: 3F & 6F, Bldg A, No. 663, Bulong Rd, Shenzhen, Guangdong, China

ZIP code: 518000

Service email: support@itead.cc

Website: sonoff.tech

Made in China



FR

Cet appareil et ses accessoires se recyclent

À DÉPOSER EN MAGASIN

À DÉPOSER EN DÉCHÈTERIE

OU

Points de collecte sur www.quefairedemesdechets.fr
 Privilégiez la réparation ou le don de votre appareil !

